

User Manual



CONTENTS

Important Safety Instructions	2
1. Product Description	3
1.1 Main Features	3
1.2 Rear Case	3
1.3 Supported Mounting Ways	4
2. Menu Setting	4
2.1 Menu/▶/◀ Button.....	4
2.2 Menu Operation.....	5
2.2.1 PICTURE	5
2.2.2 MARKER	6
2.2.3 FUNCTION	7
2.2.4 VGA	8
2.2.5 AUDIO	9
2.2.6 SYSTEM	10
3. Parameters.....	12
4. Accessories	13
5. Trouble Shooting.....	14

Important Safety Instructions:



The device has been tested for conformance to safety regulations and requirements, and has been certified for international use. However, like all electronic equipment, the device should be used with care. Please read and follow the safety instructions to protect yourself from possible injury and to minimize the risk of damage to the unit.

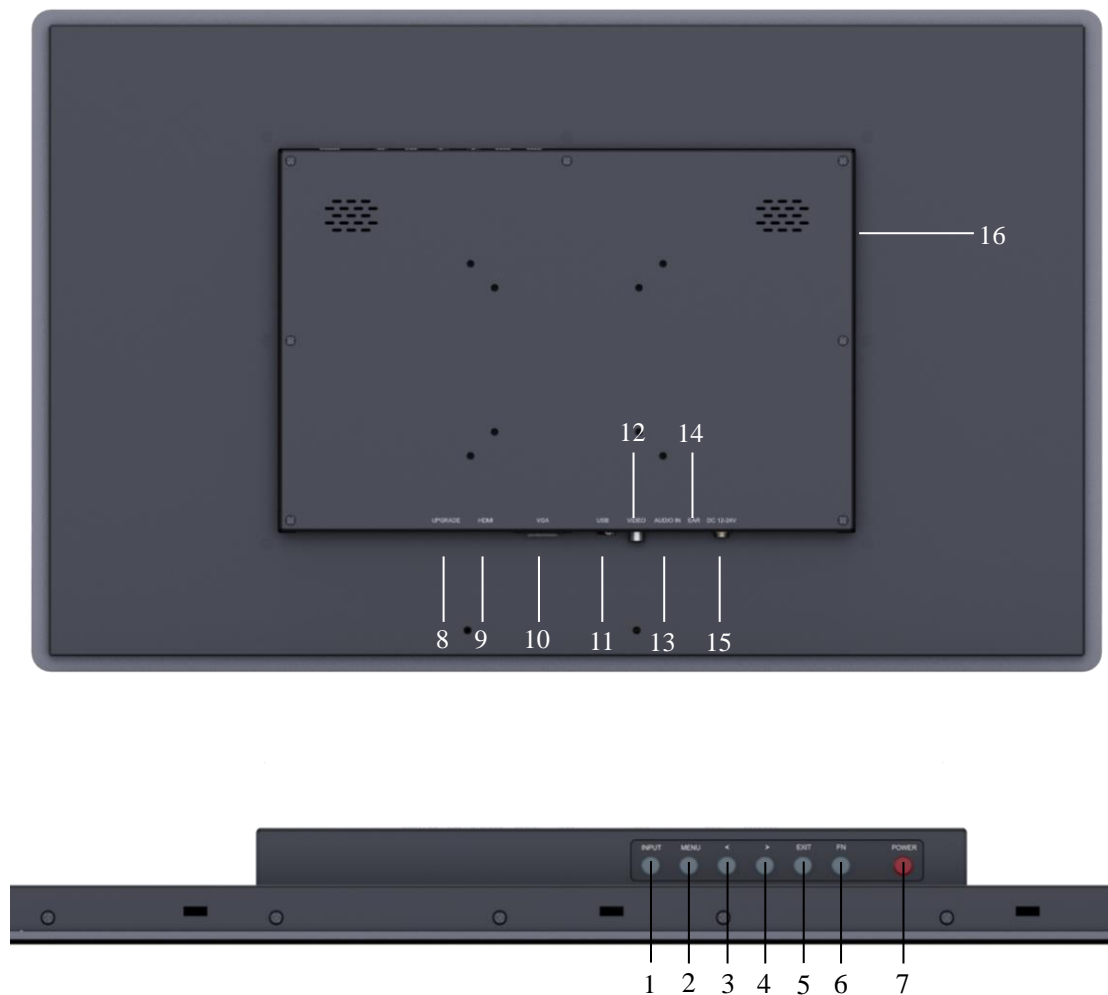
- Please do not place the display screen towards the ground to avoid scratching the LCD surface.
- Please avoid heavy impact.
- Please do not use chemical solutions to clean this product. Simply wipe with a clean soft cloth to maintain the brightness of the surface.
- Please do not block any vent hole.
- Please follow the instructions and trouble-shooting to adjust the product.
Internal adjustments or repairs must be performed by a qualified technician.
- Please keep user guide for future reference.
- Please unplug the power if long-term no-use, or thunder weather.

1. Product Description

1.1 Main Features

- 10-point capacitive touch screen
- 1000cd/m² high brightness
- Support multiple video input interfaces: HDMI, VGA, AV
- Support audio input
- Support HDMI 4K 30Hz
- Support Windows XP/7/8/8.1/10, Android, Linux and MAC OS

1.2 Rear Case



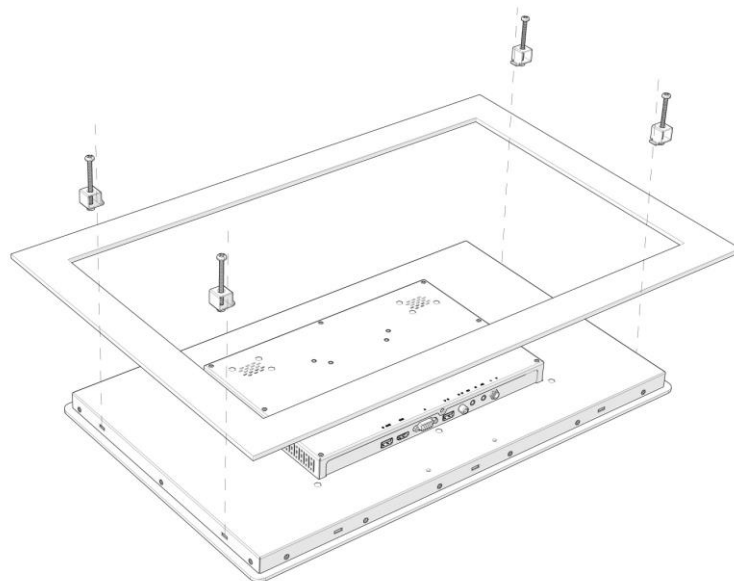
1) INPUT Button: Switch among of AV, VGA and HDMI signals.

2) MENU Button: Press it to display the menu on the screen when power on. Press it to confirm the option selected.

- 3) ◀ Button: Press it to decrease volume when power on; Select options upward in the menu.
- 4) ▶ Button: Press it to increase volume when power on; Select options downward in the menu.
- 5) EXIT Button: EXIT Button
- 6) FN Button: Can be set by [Menu]-[System]-[FN Conf.]
- 7) Power Button: Power on/off
- 8) UPGRADE Interfaces: Only for upgrade firmware
- 9) HDMI 1.4b Input
- 10) VGA Input
- 11) USB Type-A Interface: Only for touch function
- 12) Video Input (RCA ports)
- 13) Audio Input (3.5mm)
- 14) Earphone Jack (3.5mm)
- 15) Power Input: DC 12-24V
- 16) Dual Speakers

1.3 Supported Mounting Ways

- Wall Mount



2. Menu Setting

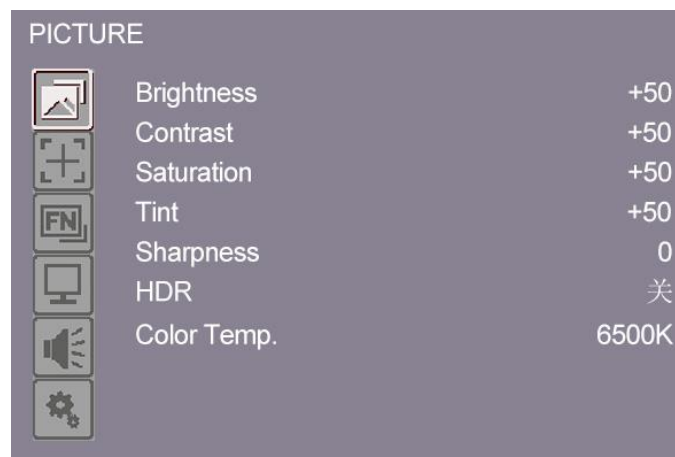
Before setting the functions, please make sure the device is connected correctly.

2.1 MENU/ ▷ / ◁ Button

- Press MENU button, the menu will pop up on the screen. Then select item as the following sequences via pressing ▷/◁ button: PICTURE / MARKER / FUNCTION / VGA / AUDIO / SYSTEM. Press MENU button again to enter into the item you select.
- Press ▷/◁ button to adjust options or values in the selected item. Then press MENU or EXIT button to apply and save the setting.
- When Menu is inactivated, press ▷/◁ button to adjust volume. Then select item as the following sequences via pressing MENU button: Brightness / Contrast / Saturation / Tint / Sharpness and Exit. Press ▷/◁ button again to adjust the value in the selected item.

2.2 Menu Operation

2.2.1 PICTURE



ITEMS	OPTIONS
Brightness	0-100
Contrast	0-100
Saturation	0-100
Tint	0-100
Sharpness	0-100
HDR	Off / HDR10_300/ HDR10_1000 / HDR10_10000/HLG
Color	6500K / 7500K / 9300K / User

Temperature	Red Gain	0-255	Note: Only available when under [User] mode to adjust R/G/B gain and offset.
	Green Gain	0-255	
	Blue Gain	0-255	
	Red Offset	0-511	
	Green Offset	0-511	
	Blue Offset	0-511	

- **Brightness**

Adjust the brightness of the LCD Screen, adjustable range: 0-100.

- **Contrast**

Adjust the contrast of image, adjustable range: 0-100.

- **Saturation**

Adjust the saturation, adjustable range: 0-100.

- **Tint**

Adjust the hue of the image, adjustable range: 0-100.

- **Sharpness**

Adjust the sharpness of image, adjustable range: 0-100.

- **HDR**

Options: Off / HDR10_300 / HDR10_1000 / HDR10_10000 / HLG.

Note: Only available under SDI and HDMI mode.

- **Color Temperature**

Options: 6500K / 7500K / 9300K / User. The standard color temperature is 6500K.

Note: Only available when under [User] mode to adjust R/G/B gain and offset.

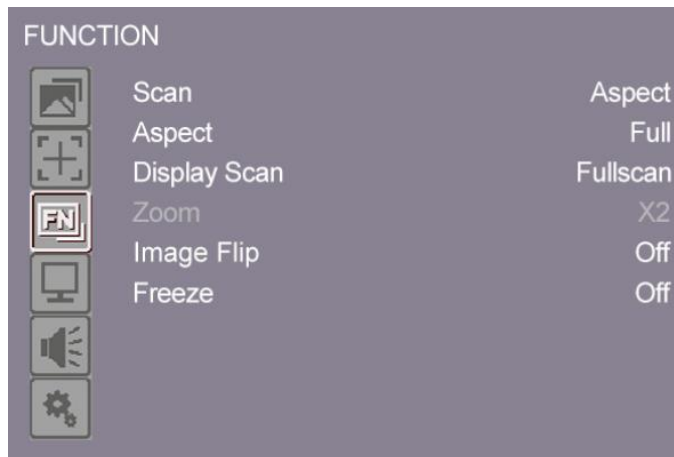
2.2.2 MARKER



ITEMS	OPTIONS
Center Marker	Off/On
Safety Marker	Off / 95% / 93% / 90% / 88% / 85% / 80%

- Center Marker
Options: Off/On. When [On], the screen will display “+” Symbol.
- Safety Marker
Options: Off / 95% / 93% / 90% / 88% / 85% / 80%.

2.2.3 FUNCTION



ITEMS	OPTIONS	
Scan	Aspect / Pixel To Pixel / Zoom	
Aspect	Full / 1.85:1 / 2.35:1 / 4:3 / 3:2	Only available under [Scan]-[Aspect] mode
Display scan	Fullscan / Overscan / Underscan	Only available under [Scan]-[Aspect] and [Zoom] mode
Zoom	X1.5 / X2 / X3 / X4	Only available under [Scan]-[Zoom] mode
Image Flip	Off / H / V / H&V	
Freeze	Off / On	

- **Scan**

Options: Aspect / Pixel To Pixel / Zoom.

Note: Under [Pixel To Pixel] mode, Aspect, Display scan and Zoom cannot be adjusted. Under [Zoom] mode, Aspect cannot be adjusted.

- **Aspect**

Options: Full / 1.85:1 / 2.35:1 / 4:3 / 3:2.

Note: Only available under [Scan]-[Aspect] mode.

- **Display scan**

Options: Fullscan / Overscan / Underscan.

- **Zoom**

Only available under [Scan]-[Zoom] mode. Users can select zoom ratio according to different needs.

- **Image Flip**

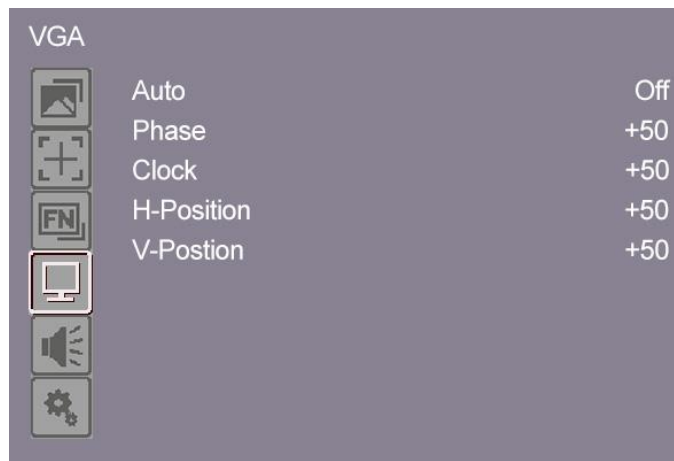
Options: Off / H / V / H&V.

- **Freeze**

Options: On / Off.

Activate freeze function to freeze current picture when playing the video.

2.2.4 VGA



ITEMS	OPTION
Auto	On / Off
Phase	0-100
Clock	0-100
H-Position	0-100
V-Position	0-100

- **Auto**

Select [On], the monitor can automatically adjust the position of the image. Select [Off], users can manually adjust the position of the image.

- **Phase**

Adjust internal phase sequence difference. Adjustable range: 0-100.

- **Clock**

Adjust internal oscillation frequency when interference occurs. Adjust this item, the image can be compressed or stretched left or right. Adjustable range: 0-100.

- **H-Position**

Horizontally adjust the position of the image on the screen. Adjustable range: 0-100.

- **V-Position**

Vertically adjust the position of the image on the screen. Adjustable range: 0-100.

Note: Only available under VGA mode.

2.2.5 AUDIO



ITEMS	OPTION
Volume	0-100
Mute	On / Off

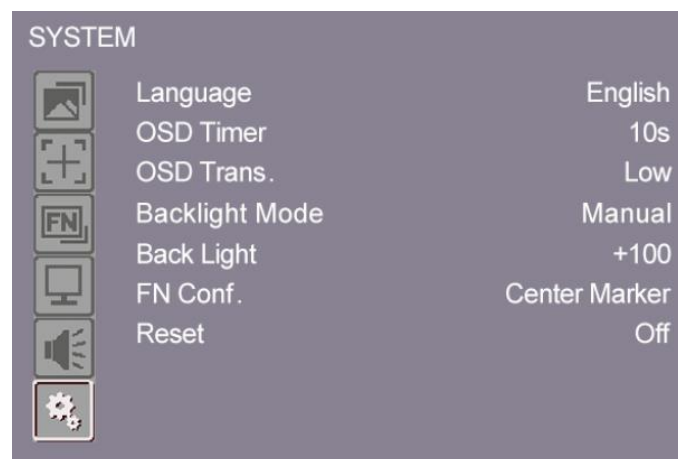
- **Volume**

Adjust the volume of built-in speaker or earphone. Adjustable range: 0-100.

- **Mute**

Stop any audio output.

2.2.6 SYSTEM



ITEMS	OPTION
Language	English / 中文
OSD Timer	10s / 20s / 30s
OSD Trans.	Off / Low / Middle / High
Backlight Mode	Manual / Auto
Back Light	0-100
FN Conf.	Center Marker / Display Scan / Scan / Aspect / Freeze / HDR / Image Flip / Mute
Reset	Off / On

- **Language**

Options: English / Chinese.

- **OSD Timer**

Options: 10s / 20s / 30s.

- **OSD Trans.**

Adjust the transparency of OSD. Options: Off / Low / Middle / High.

- **Backlight Mode**

Manual: Change backlight as required; Auto: Adjust the backlight according to environment.

- **Back Light**

Adjustable range: 0-100.

- **FN Conf.**

Set shortcut button function, options: Center Marker / Display scan / Scan / Aspect / Freeze / HDR / Image Flip / Mute.

- **Reset**

If there is any problem unknown, please select [On]. The monitor will restore factory defaults.

3. Parameters

Screen Size	21.5"
Physical Resolution	1920x1080
Brightness	1000cd/m ² (TYP)
Contrast	1000:1 (TYP)
Viewing Angle	178°/178°
Touch	10-point capacitive touch
Input	HDMI, VGA, AV, Audio in
Output	Earphone jack
Input Voltage	DC 10-24V
Power Consumption	≤37W
Operating Temperature	0°C~50°C
Storage Temperature	-20°C~60°C
Dimension	556x344x48.2mm
Weight	5.99kg

4. Accessories



● Standard

- | | |
|------------------------------|---------|
| 1) 15V/3A DC Adapter | 1 piece |
| 2) HDMI A/A cable | 1 piece |
| 3) VGA cable | 1 piece |
| 4) USB A/A cable (for touch) | 1 piece |
| 5) Audio / Video Cable | 1 piece |
| 6) Fixed Screws | 1 pair |
| 7) Cable Clamp | 1 piece |

5. Trouble Shooting

- **Only black-and-white display:**

Check whether the color saturation is properly setup or not.

- **Power on but no pictures:**

Check whether the cables of AV, HDMI, SDI, and VGA are correctly connected or not. Please use the standard power adapter coming with the product package. Improper power input may cause damage.

- **Wrong or abnormal colors:**

Check whether the cables are correctly and securely connected or not. Broken or loose pins of the cables may cause a bad contact.

- **Other problems:**

Please press MENU button, choose [SYSTEM]→ [Reset]→[On].

Note: Due to constant effort to improve products and product features, specifications may change without notice.